



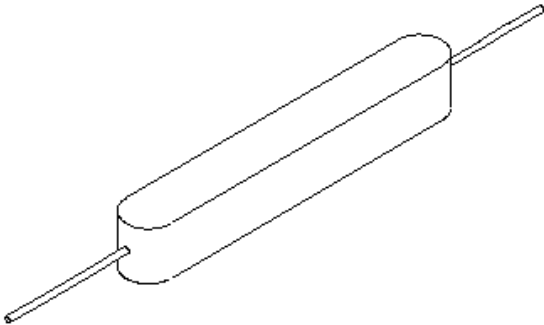
180 Lafayette Road
 North Hampton, NH 03862-2448
 PH: 603-964-3165
 FX: 603-964-3168
 WWW.PDEELECTRONICS.COM

Rectifier Assembly

Ultra Super Fast Recovery High Voltage HVUSFS Series

- QUICK REFERENCE DATA**
- $V_R = 2500 - 20000$ VOLTS
 - $I_F = 1.00 - 1.25$ AMPS
 - $I_R = 5 \mu$ AMPS
 - $I_{FSM} = 60$ AMPS

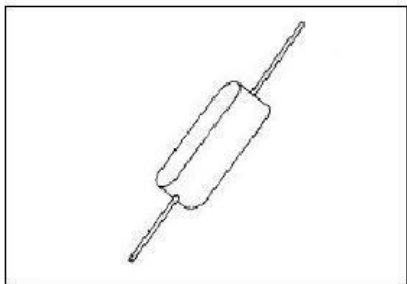
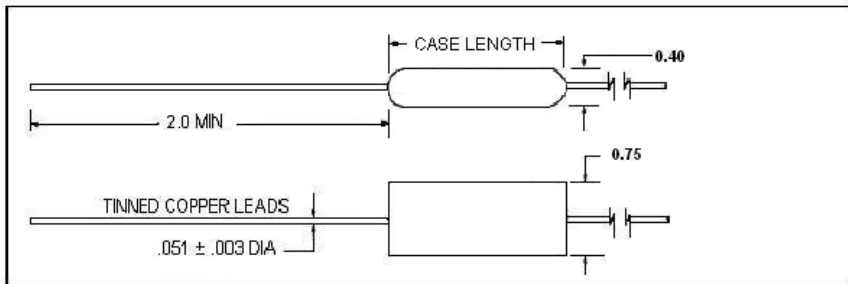
- FEATURES**
- High Voltage
 - Fast Recovery
 - Glass Passivated Junctions
 - Low Reverse Leakage Current
 - Low Forward Voltage Drop
 - Corona Free Construction



ELECTRICAL CHARACTERISTICS				ABSOLUTE MAXIMUM RATINGS				
Part Number	Peak Inverse Voltage	Average Rectified Current $I_{F(AV)}$	1 Cycle Surge Current I_{FSM} $t_p = 8.3mS$	Reverse Recovery Time*	Maximum Reverse Leakage Current $I_R @ V_{RWM}$	Maximum Forward Voltages $V_F @ I_F$		Case Length $\pm .030''$
		@ $T_A = 55^\circ C$	@ $T_A = 25^\circ C$	@ $T_A = 25^\circ C$	@ $T_A = 25^\circ C$	@ $T_A = 25^\circ C$		
	Volts	Amps	Amps	nSec	μA	Volts	Amps	Inches
HVUSFS2500	2500	1.25	60	40	5.0	6.0	1.25	1.5
HVUSFS5000	5000	1.25	60	40	5.0	10.0	1.25	2.5
HVUSFS7500	7500	1.25	60	40	5.0	16.0	1.25	3.5
HVUSFS10000	10000	1.25	60	40	5.0	20.0	1.25	4.5
HVUSFS12500	12500	1.0	60	40	5.0	26.0	1.0	5.5
HVUSFS15000	15000	1.0	60	40	5.0	30.0	1.0	6.5
HVUSFS20000	20000	1.0	60	40	5.0	40.0	1.0	6.5

*Measured in discrete devices prior to assembly. $I_F = .5A$, $I_R = 1A$, $I_{RR} = .25A$

MECHANICAL CHARACTERISTICS



TEMPERATURE RATINGS

Operating Temperature Range.....	-55°C to +150°C
Storage Temperature Range.....	-55°C to +150°C

Specifications subject to change without notice to ensure a better product
PD&E Electronics 180 Lafayette Rd. North Hampton, NH 03862
 Ph: (603) 964-3165 Fx: (603) 964-3168 Web: WWW.PDEELECTRONICS.COM